

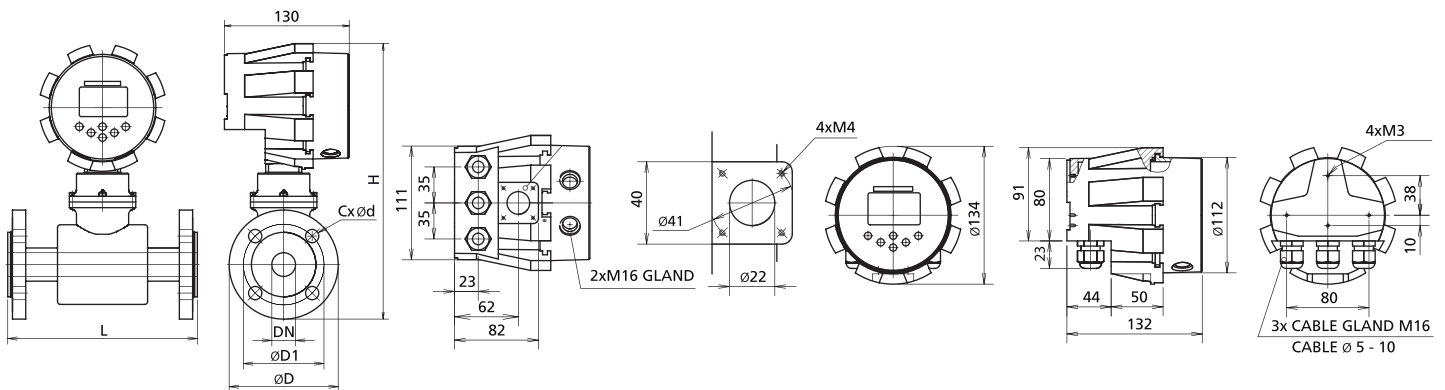
DIN

DN	ØD	D1	CxØd	L	H-compact	H-remote
	[mm]	[mm]	[mm]	[mm]	[mm]	[mm]
10	90	60	4x14	200	275	180
15	95	65	4x14	200	280	185
20	105	75	4x14	200	288	193
25	115	85	4x14	200	293	198
32	140	100	4x18	200	312	217
40	150	110	4x18	200	320	225
50	165	125	4x18	200	334	239
65	185	145	8x18	200	354	259
80	200	160	8x18	200	373	278
100	220	180	8x18	250	393	298
125	250	210	8x18	250	419	324
150	285	240	8x22	300	458	363
200	340	295	12x22	350	514	419
250	405	355	12x26	400	584	489
300	460	410	12x26	500	633	538
350	520	470	16x26	500	701	606
400	580	525	16x30	600	754	659
450	640	585	20x30	600	797	702
500	715	650	20x33	600	865	770
600	840	770	20x36	600	982	887

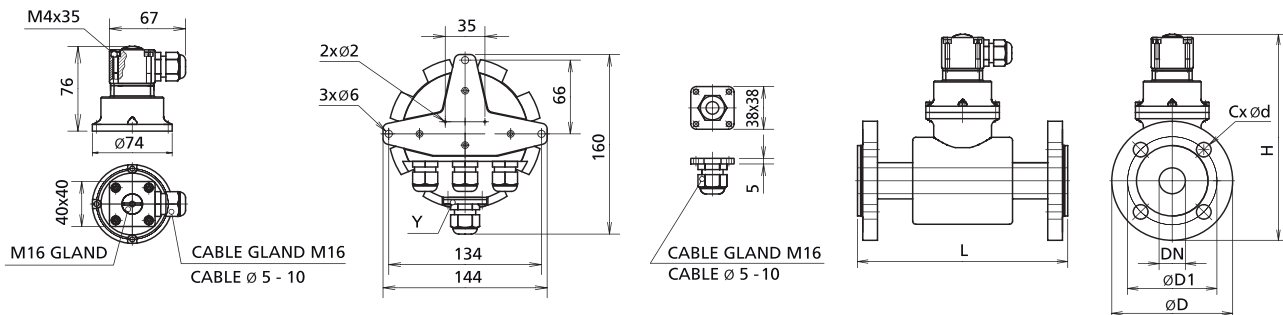
ANSI

DN	ØD	D1	CxØd	L	H-compact	H-remote
	[mm]	[mm]	[mm]	[mm]	[mm]	[mm]
1/2"	88.9	60.5	4x16	200	277	182
3/4"	98.6	69.9	4x20	200	284	189
1"	108	79.2	4x20	200	290	195
1.1/4"	117.3	88.9	4x20	200	300	205
1.1/2"	127	98.6	4x23	200	309	214
2"	152.4	120.7	8x20	200	328	233
2.1/2"	177.8	139.7	4x20	200	350	255
3"	190.5	152.4	4x20	200	368	273
4"	228.6	190.5	8x20	250	397	302
5"	254	215.9	8x23	250	421	326
6"	279.4	241.3	8x23	300	455	360
8"	342.9	298.5	8x23	350	515	420
10"	406.4	362	12x26	400	584	489
12"	482.6	431.8	12x26	500	644	549
14"	533.4	476.3	12x29	500	708	613
16"	596.9	539.8	16x29	600	762	667
18"	635	577.9	16x32	600	795	700
20"	698.5	635	20x32	600	856	761
24"	812.8	749.3	20x35	600	968	873

Compact version:



Remote version:



Tolerance of built-in length:
 DN 10 – DN 150 L ± 5 mm
 DN 200 – DN 1000 L ± 10 mm

Standard pressure:
 DN 10 – DN 50 PN 40 / 150 lbs.
 DN 65 – DN 150 PN 16 / 150 lbs.

Max. electronics weight (including housing)	2kg
Housing material	Aluminium + powder coating
Housing dimensions	Ø 134 - 132 mm
Cable terminal	3+1xM16x1.5 IP68 cable glands
Electronics protection	Standard IP67 / NEMA 5