

Transmitter specifications MAGX2 IP68



Measurable media	Conductive fluids
Min. media electrical conductivity	≥ 5µS/cm or ≥ 20µS/cm for demineralized water
Flow range	0.1 to 10 m/s
Displayed values	Actual flow (m³/h l/s, l/m, US.gal/min, UK.gal/min), volume (m³, l, US.gal, UK.gal), positive, negative, total volume and auxiliary (clearable) volume, sensor temperature
Accuracy	±0.2% (0.5 - 10 m/s) of actual value
Power supply options	90-250 VAC 50/60 Hz or 24 VDC or 12 VDC
Power consumption	Max. 15VA
Communication protocol	Modbus RTU can be used with all the communication modules i.e. RS232, RS485, USB, BLUETOOTH, TCP/IP, GPRS, WIFI
Flow direction	Bi-directional measurement
Ambient temperature	-20°C to 60°C (-4°F to 140°F)
Display	LCD 128 x 64 PX graphical, contrast setup
Controls	6 optometric-buttons + communication modules (optional)
Low flow cut-off	OFF, 0.5%, 1%, 2%, 5%, 10% of Flow Qn
Adjustable filter constant	1 -120 samples; default value is 15 samples
Max. electronics weight (including housing)	2 kg
Housing material	Aluminium (powder coated)
Housing dimensions	Ø 134 - 132 mm
Cable terminal	3+1xM16x1.5 IP68 cable glands
Electronics protection	IP68 / NEMA 6
Other features	Auto-diagnostics Multi-language options (English, Spanish or Russian, other languages possible) Indicative temperature measurement up to 150°C Test of excitation coils Empty pipe detection Zero flow adjusting Flow simulator
Excitation frequency	3.125 Hz or 6.25 Hz
Real time	Clock function for data-logging
Analogue outputs	Optionals: Current 4-20 mA, Pulse, Pulse 230
Digital outputs (communication)	Optionals: USB, RS232, RS485, BLUETOOTH, GPRS, TCP/IP, GSM-SMS, WiFi
Data logger	Micro SD card

Sensor specifications MAGX2 IP68



Connection types	DIN, ANSI, JIS flanges. Other types on request
Flange	Steel 1.0036 or higher, Dimensions according to DIN EN 1092-1, ASME B 16.5, JIS B 2239
Nominal size	10-1000 mm (1/2" - 40")
Maximum nominal pressure	PN 40 / 300 psi
Max. media temperature	70°C (158°F) for Hard Rubber liner, 130°C (266°F) for PTFE liner in remote version
Ambient temperature	-20 to 60°C (-4 to 140°F)
Sensor protection	IP68 (NEMA 6)
Liner	Hard Rubber, PTFE other material on request WRAS approved material available for sizes up to DN600
Electrodes	CrNi (Stainless) steel 1.4571 / 316Ti, other materials on request
Measuring tube	Stainless steel 1.4301 dimensions according to EN 10027-2
Outer casing	Carbon steel (1.0036) as standard
External coating	Lacquered finish (anticorrosive)
Accessories options	Earthing rings for plastic and lined pipes
Coils resistance	80 / 100 Ω
Other features	Earthing through 3 rd and 4 th electrode Automatic electrode cleaning



WRAS approved product available for DN25, DN50 and DN80

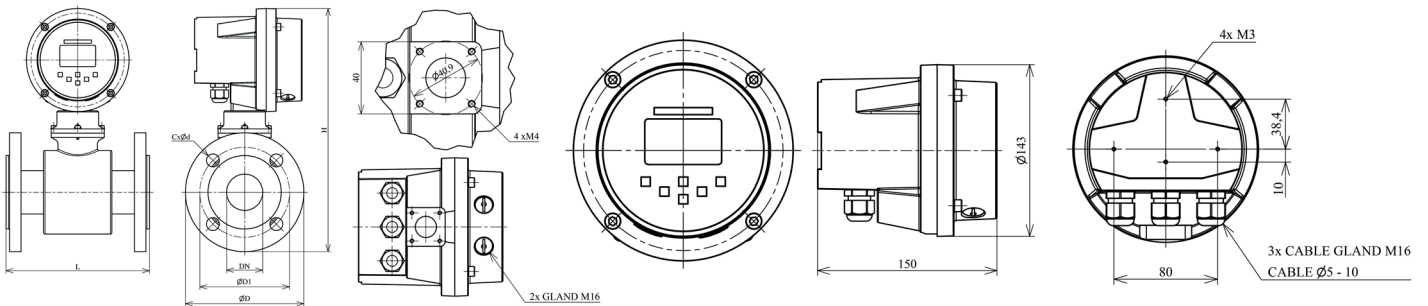
DIN

DN	ØD	D1	CxØd	L	H-compact	H-remote
	[mm]	[mm]	[mm]	[mm]	[mm]	[mm]
10	90	60	4x14	200	275	180
15	95	65	4x14	200	280	185
20	105	75	4x14	200	288	193
25	115	85	4x14	200	293	198
32	140	100	4x18	200	312	217
40	150	110	4x18	200	320	225
50	165	125	4x18	200	334	239
65	185	145	8x18	200	354	259
80	200	160	8x18	200	373	278
100	220	180	8x18	250	393	298
125	250	210	8x18	250	419	324
150	285	240	8x22	300	458	363
200	340	295	12x22	350	514	419
250	405	355	12x26	400	584	489
300	460	410	12x26	500	633	538
350	520	470	16x26	500	701	606
400	580	525	16x30	600	754	659
450	640	585	20x30	600	797	702
500	715	650	20x33	600	865	770
600	840	770	20x36	600	982	887

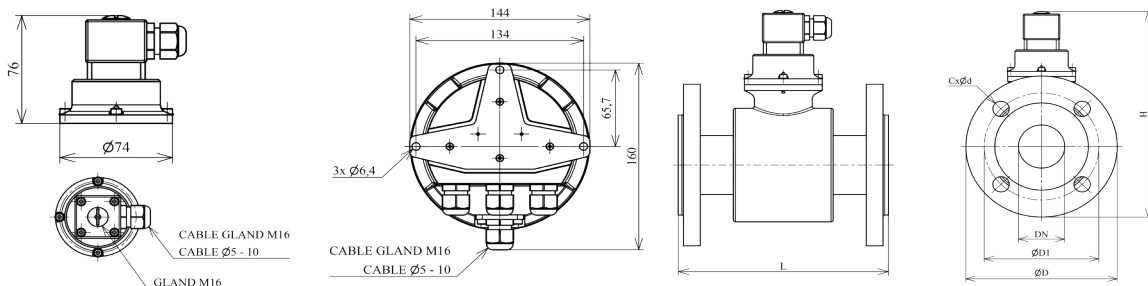
ANSI

DN	ØD	D1	CxØd	L	H-compact	H-remote
	[mm]	[mm]	[mm]	[mm]	[mm]	[mm]
1/2"	88.9	60.5	4x16	200	277	182
3/4"	98.6	69.9	4x20	200	284	189
1"	108	79.2	4x20	200	290	195
1.1/4"	117.3	88.9	4x20	200	300	205
1.1/2"	127	98.6	4x23	200	309	214
2"	152.4	120.7	8x20	200	328	233
2.1/2"	177.8	139.7	4x20	200	350	255
3"	190.5	152.4	4x20	200	368	273
4"	228.6	190.5	8x20	250	397	302
5"	254	215.9	8x23	250	421	326
6"	279.4	241.3	8x23	300	455	360
8"	342.9	298.5	8x23	350	515	420
10"	406.4	362	12x26	400	584	489
12"	482.6	431.8	12x26	500	644	549
14"	533.4	476.3	12x29	500	708	613
16"	596.9	539.8	16x29	600	762	667
18"	635	577.9	16x32	600	795	700
20"	698.5	635	20x32	600	856	761
24"	812.8	749.3	20x35	600	968	873

Compact version:



Remote version:



Tolerance of built-in length:
 DN 10 – DN 150 L ± 5 mm
 DN 200 – DN 1000 L ± 10 mm

Standard pressure:
 DN 10 – DN 50 PN 40 / 150 lbs.
 DN 65 – DN 150 PN 16 / 150 lbs.

Max. electronics weight (including housing)	2 kg
Housing material	Aluminium + powder coating
Housing dimensions	134 - 132 mm
Cable terminal	3+ 1xM16x1.5 IP68 cable glands
Electronics protection	IP68 / NEMA 6