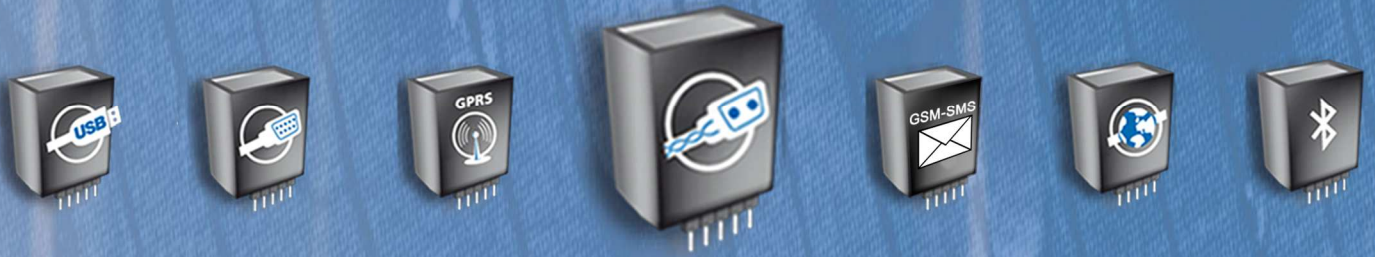


Digital communication modules



RS485 Communication module

Module Datasheet

Specifications

Name:	RS485
Dimensions:	3,3 x 2,6 x 1,7 cm
Weight:	22g
Accessories included:	1pc of three pin terminal connector included

Electrical specifications

VCC to Ground:	3,3V DC
Baud rate:	Max. 115200 baud/s

Functions & features

Connection for connecting PLCs and SCADA systems

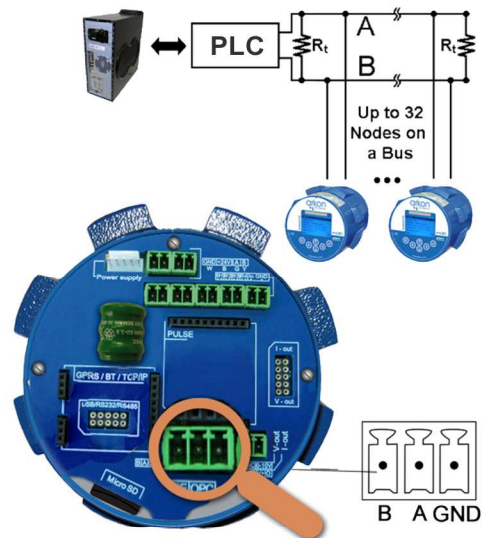
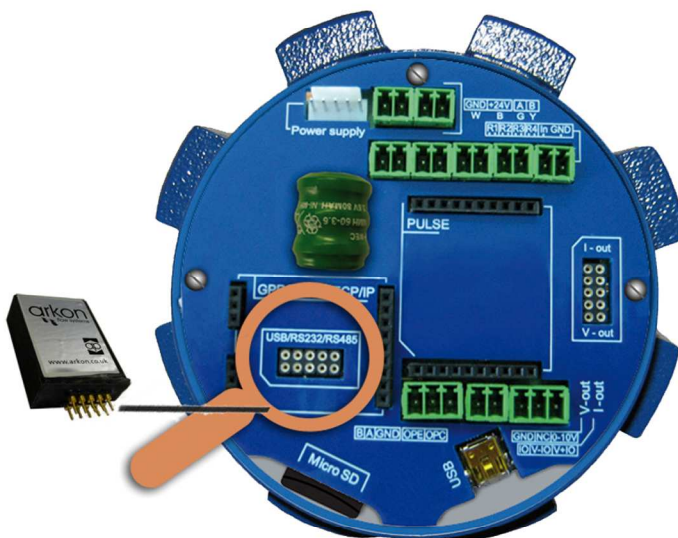
Applications

Industrial automation, industrial process control, PC and PLCs

Pictures



How to use the module



Multi-Node Network with End Termination Using RS485
Terminator R, with resistance 100Ω should be connect to the end of line RS485.