

NEW output module for MAGX2



Following our distributor's requirements we are happy to announce that we are launching our new output solutions for MAGX2, the WiFi output module. We believe this will help you to provide modern and better solutions to your customers specially for applications where there is a need to easily communicate between flowmeter, PC or PLC system with no data cables needed.

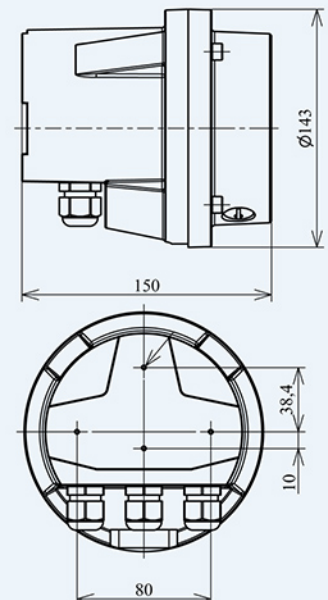
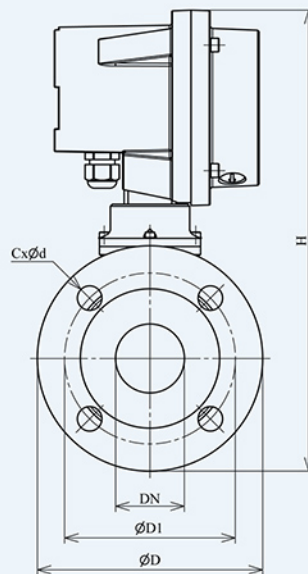
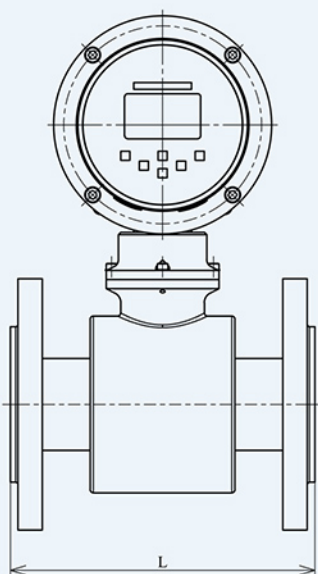
For information or enquiries for the new module, please contact our sales department at arkon@arkon.co.uk or sales@arkon.co.uk. WiFi module will be available for sales from 1st December 2015.

IP68 version for MAGX2 and MAGB1 transmitters

Moreover we are glad to inform you about the new option for IP 68 protection of our transmitters, which means that from now on, we can provide you with a solution for special applications where there is a need for flowmeters with IP68 transmitter eg. outdoor applications without possibilities of cabinet installation for transmitter or for other harsh ambient conditions.

We have designed this special IP68 protected housing with focus on its resistance, hardness and to be still easy to control and configure, we have changed the classic buttons to the new optometric.

New housing is still easy to open with 4 allen screws, also MAGX2 and MAGB1 flowmeters with IP68 protection will be available for sales from 1st December 2015.



For more information please contact our sales department arkon@arkon.co.uk or sales@arkon.co.uk